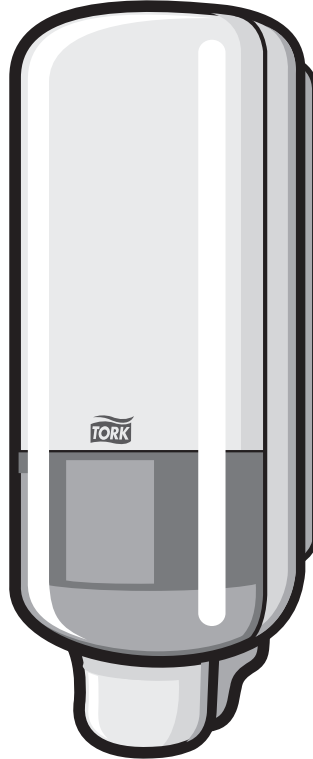


# Tork Foam Soap Dispenser

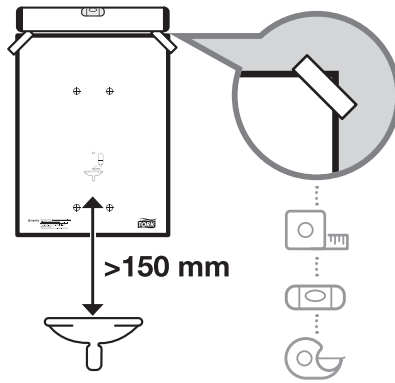
S4

Elevation  
Design

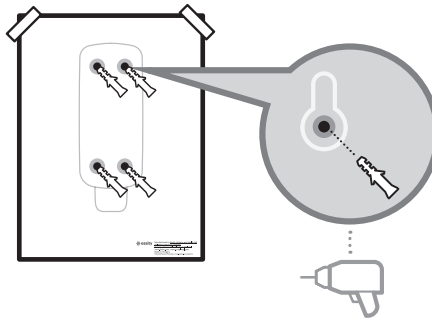




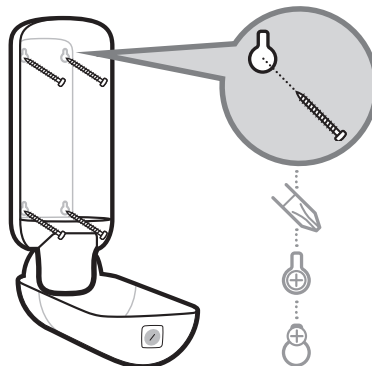
1



2

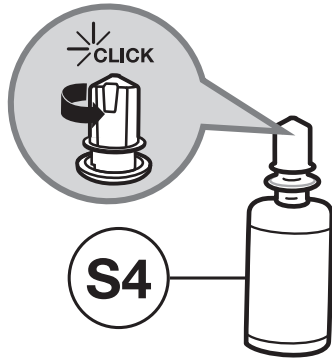


3



Tork Foam Soap Dispenser

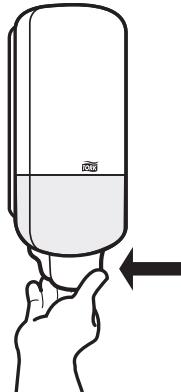
4



5



6

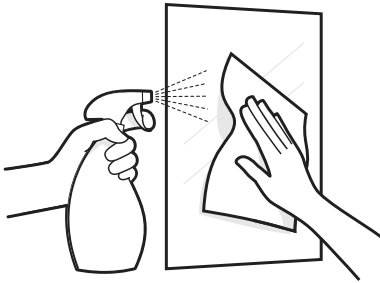


3

**i**

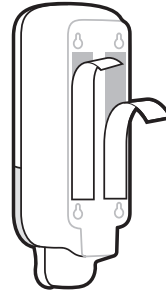
## Mounting on mirror

1



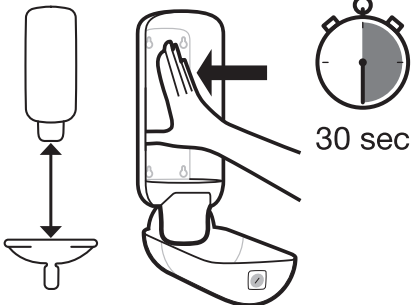
Ensure the mounting surface is flat, clean and dry.

2



Peel the protective liners from the tape exposing the adhesive.

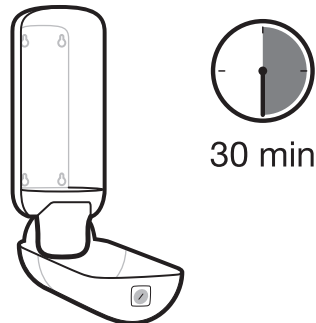
3



>150 mm

Mount the dispenser to the flat surface, press firmly and hold in place for at least 30 seconds.

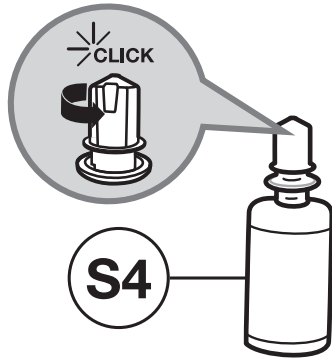
4



Do not place the refill or batteries in the dispenser for at least 30 minutes.

Tork Foam Soap Dispenser

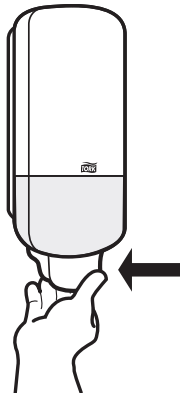
5



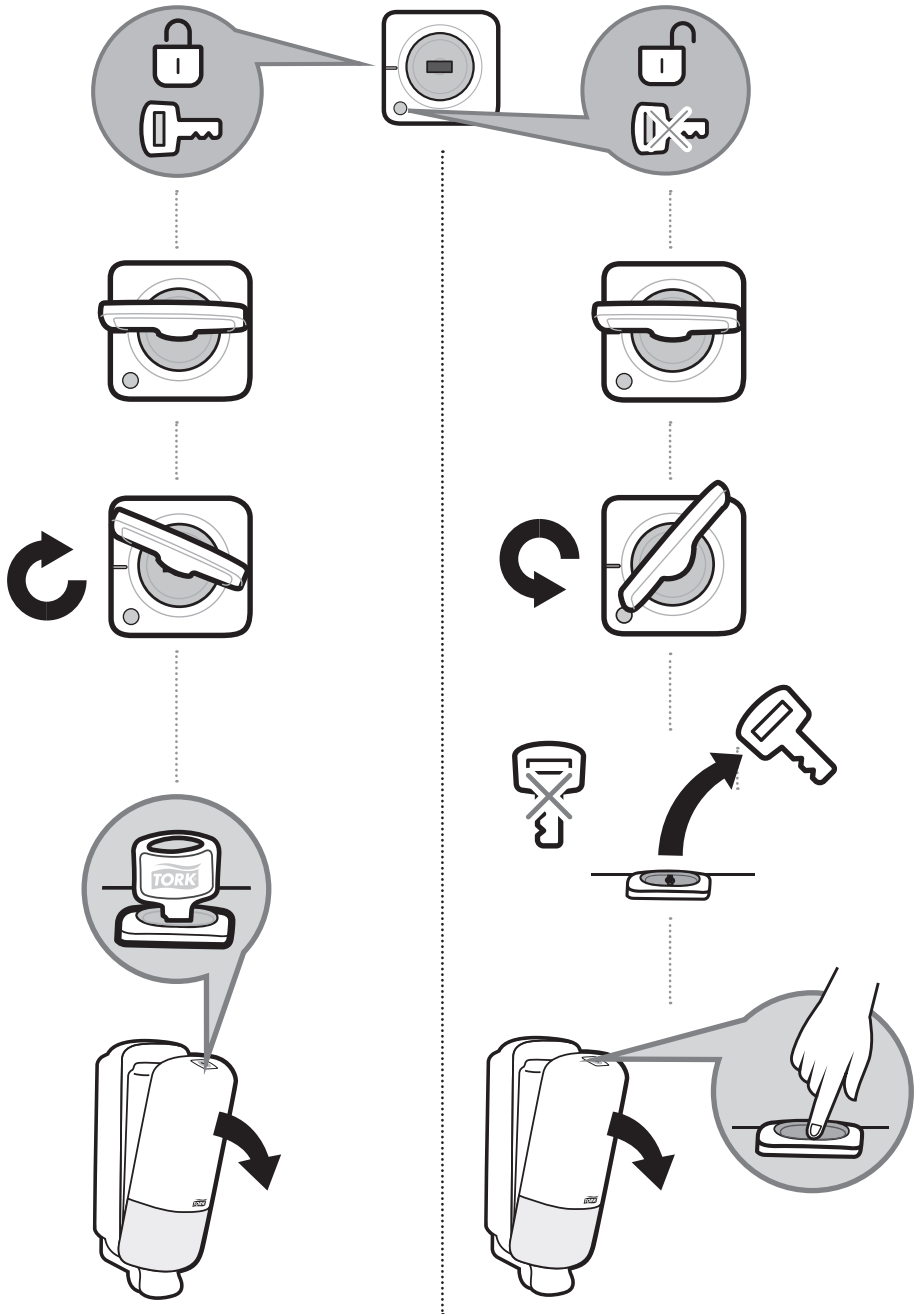
6



7



5



## Disposal

- Damaged or malfunctioning product should be disposed of immediately to avoid potential of injury
- Products should be disposed of in accordance with applicable regulations

## Cleaning instructions

- Clean dispenser with mild detergent and soft cloth

European Community Design Registration RCD 000929971



Manufactured by Essity Hygiene and Health AB  
SE-40503 Göteborg, Sweden  
Visiting address: Mölndals Bro 2, Mölndal  
[www.essity.com](http://www.essity.com), [www.torkglobal.com](http://www.torkglobal.com)  
Made in Hungary  
Patents/Brevets/Patentes: [www.essity.com/patents](http://www.essity.com/patents)